

Ultimate

Actual Size: 29.75x59.5x38

Seat Width: 21 inches

Shipping Size: 32x62x50

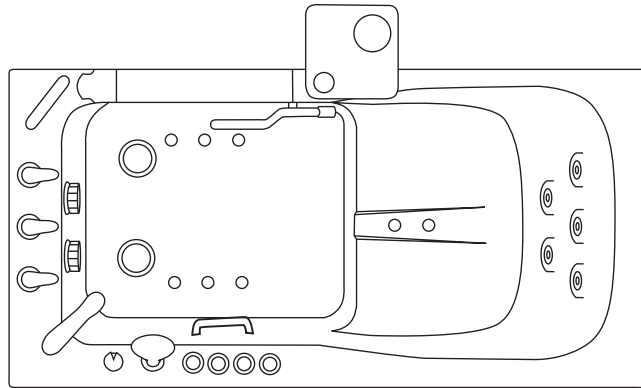
Shipping Weight: 300 lbs.

Net Weight: 220 lbs.

Water Capacity: 95 gal.

Occupied: 55-85 gal.

Drainage Time: +/- 80 sec at ideal home plumbing conditions (occupied)



Included Features

1. Acrylic Tub Shell:
 - High quality acrylic
 - Excellent color uniformity
 - High Gloss White Finish
 - Fiberglass Reinforced
2. Stainless Steel Frame with Adjustable Leveling Legs
3. Inward swing removable brushed stainless steel door with tempered glass
4. Two (2) front and one (1) end removable access panel
5. Stainless steel chrome finish U-shape deck mount grab bar
6. Stainless steel chrome finish wall mount grab bar
7. 360° Removable Swivel Tray

Floor Drains - 2 Options

1. Two (2) 2" PVC T-type two (2) outlet drain with endcaps Two (2) overflows and cable operated openers with extended handles for easier grip in chrome finish
2. Two (2) 2" Brass threaded floor drains with copper overflow and cable operated opener with extended handle

Warranty

- Lifetime limited warranty on acrylic walk in tub shell, frame, and door
- 5 year parts warranty (please visit www.ellasbubbles.com for more detailed information)

Jetting

(Please refer to diagrams below for detailed jet counts)

1. Hydro Massage System (Foot Massage)
 - Hydro Pump 5AMP 600W
 - Hydro massage intensity dial air control
 - In-line water heater 5.5AMP 650W
 - Ozone Sterilization
 - 4 Foot and 2 Calf Massage Jets
2. Air Massage System 4.5AMP 486W
 - 17 Air Jets
 - 3 Speed Pump
 - Autopurge (Activates 20 minutes after pump shutdown)

Jetting

(Please refer to diagrams below for detailed jet counts)

3. Hydro Massage System (Upper Jets)
 - Hydro Pump 5AMP 600W
 - Hydro massage intensity dial air control
 - 11 Hydro Jets

Optional Features

1. Heated Seat and Backrest 4AMP 470W
2. Aromatherapy
3. On/Off Push Controls or Digital Controller

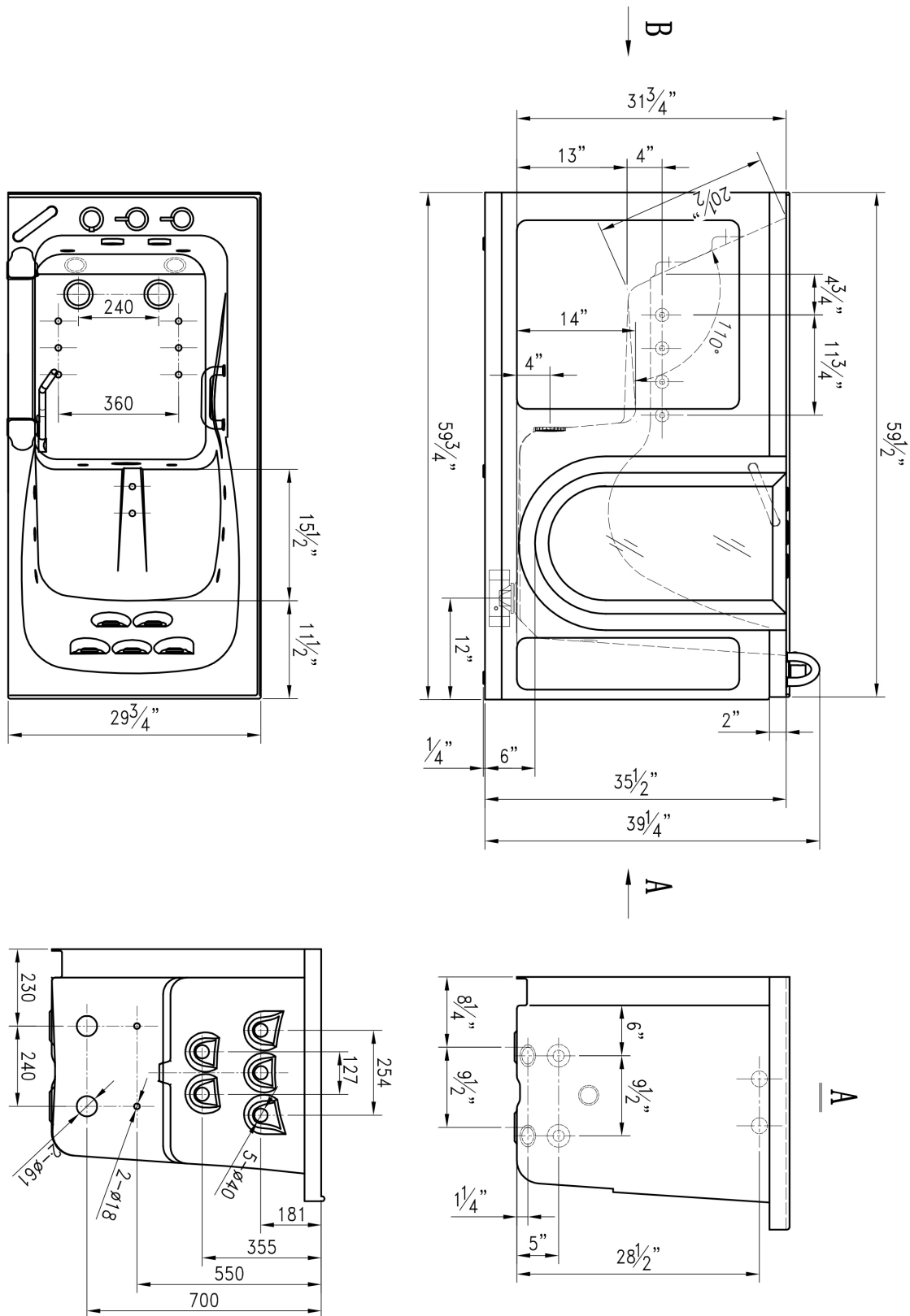
Faucet Options

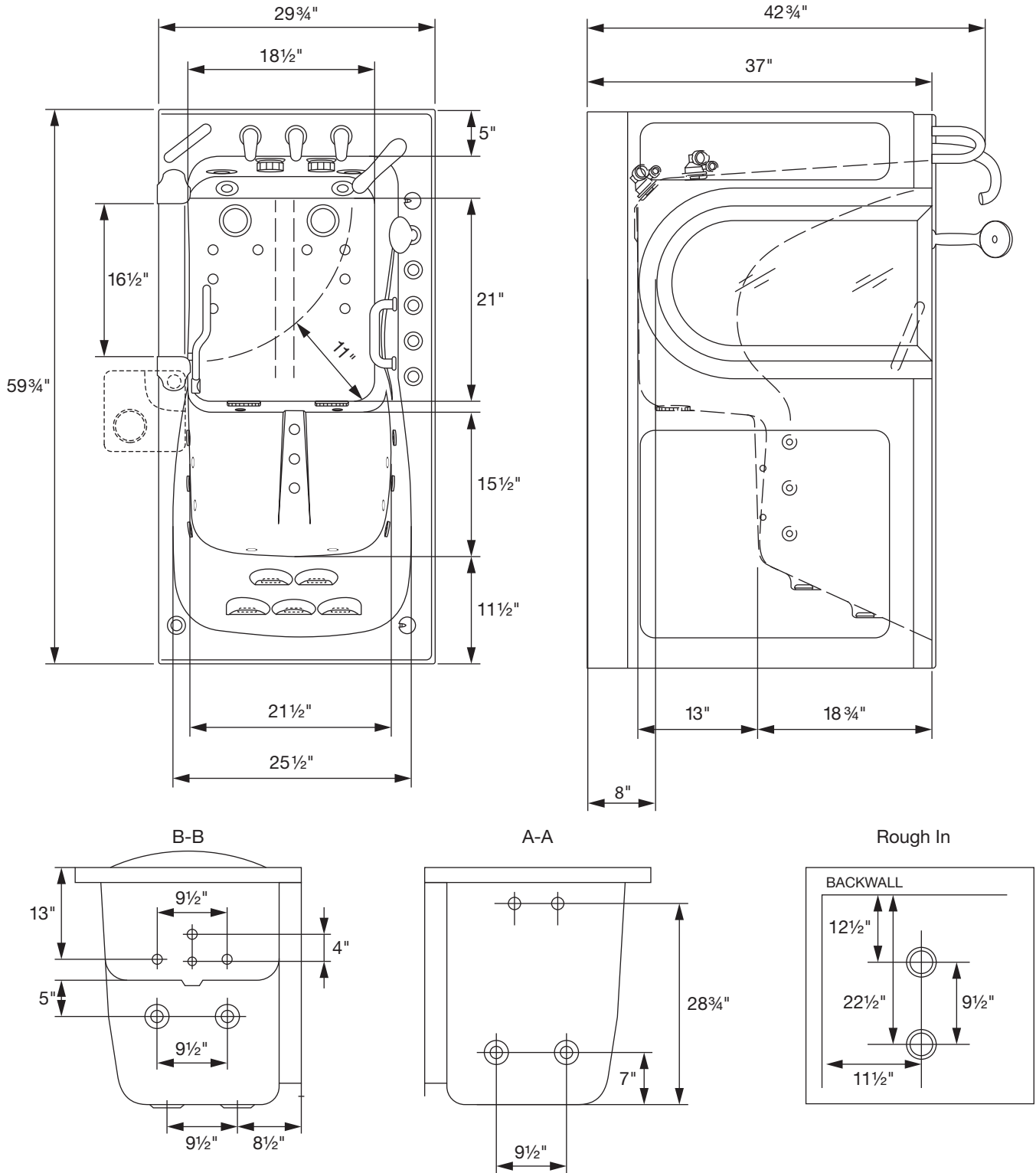
1. **Five-Piece Fast Fill Huntington Brass Faucet Set**
 - 14-18 GPM (average) @ 60 PSI at ideal in home plumbing conditions
 - Pull out, hand held, chrome plated hand shower with 5 ft. retractable stainless steel braided hose
 - 5 year warranty
 - visit www.huntingtonbrass.com/warranty for full warranty information
2. **Five-Piece Jandon Roman Faucet Set**
 - 14-16 GPM (average) @ 60 PSI at ideal in home plumbing conditions
 - Pull out, hand held, chrome plated hand shower with 5 ft. retractable stainless steel braided hose
 - 5 year warranty
 - visit <https://www.jandonfaucet.com/> for full warranty information

Electrical Requirements:

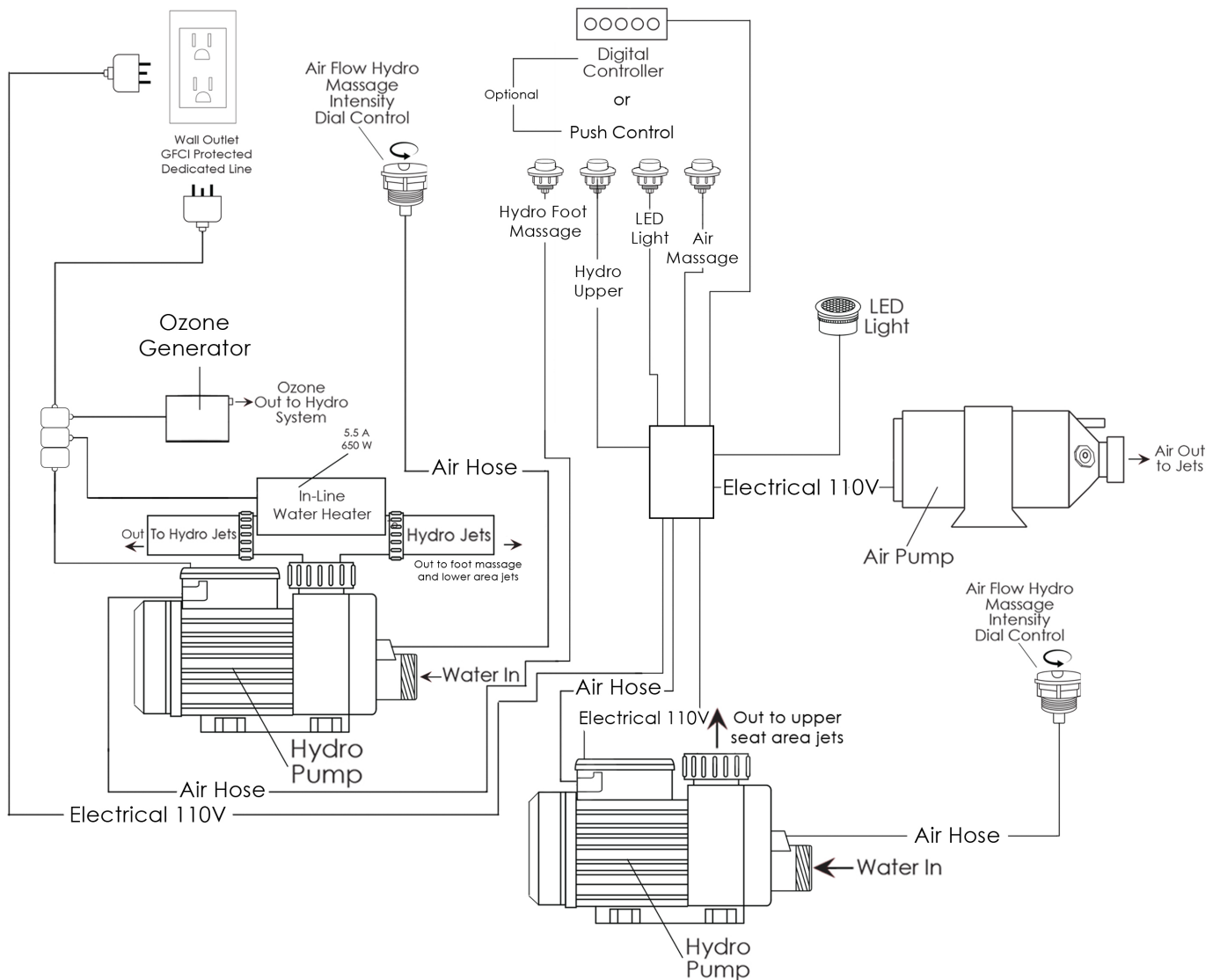
Please refer to Technical Diagrams for more information

Ultimate - Inward Swing Door Walk In Bathtub Drawing
with 2" T Type Dual Port Drain





Hydro Massage (Upper Jets) + Air Massage + Hydro Massage (Foot Jets)



1. Hydro Massage System (Foot Massage)

- Hydro Pump 5AMP 600W
- Hydro massage intensity dial air control
- In-line water heater 5.5AMP 650W
- Ozone Sterilization
- 4 Foot and 2 Calf Massage Jets

2. Air Massage System 4.5AMP 486W

- 17 Air Jets
- 3 Speed Pump
- Autopurge (Activates 20 minutes after pump shutdown)

3. Hydro Massage System (Upper Jets)

- Hydro Pump 5AMP 600W
- Hydro massage intensity dial air control
- 11 Hydro Jets

Electrical Requirements:

Two (2) dedicated 120V electrical lines with 20AMP GFCI standard three prong outlets are required